



Technical Proposal



T6 — CNC Router with ATC



Tool Holder



Control System



● About us

Hangzhou Chaohan Intelligent Equipment Co., Ltd.

Founded in 2010 and headquartered in Hangzhou, China, we specialize in **designing and manufacturing premium CNC equipment** for global markets. Our comprehensive product range includes:

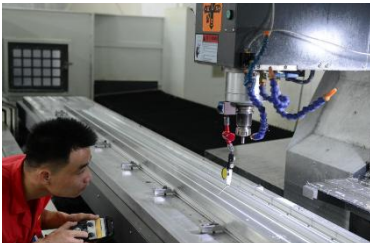
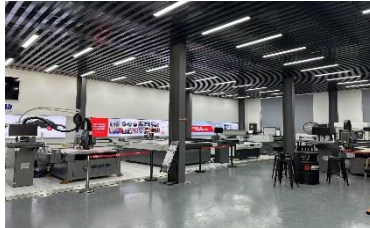
- High-Speed Vision-Guided Router Series
- High-Precision Machining Centers
- Multi-Functional Intelligent Cutting Systems
- Fiber Laser Cutting Machines
- CO₂ Laser Cutting Solutions

Manufacturing Excellence

Operating from an **5,000 m² facility** in Yuhang Liangzhu, our vertically integrated production features:

- Sheet Metal Fabrication Workshop
- Precision Assembly Center
- Dedicated R&D Departments for:
 - Software Development
 - Mechanical Engineering
 - Machine Tool Processing

Supported by **35+ skilled professionals**, we maintain an annual production capacity valued at **¥40 million** with streamlined manufacturing processes refined over a decade.



Industry Applications

Our solutions serve diverse sectors including:

- Advertising & Signage • Craft/Gift Production • Hardware & Mold Making • Architectural Modeling • Electronics Manufacturing • Leather Goods • Decorative Materials • Woodworking & Furniture.etc.

Collaboration Models

Hangzhou Chaohan Intelligent Equipment Co., Ltd



Beyond our core product lines, we offer:

- OEM/ODM Partnerships
- Integrated Online & Offline Support

● Technical Parameters

No.	Content	Specification		Notes
1	Cutting Area	X-axis	2000mm	/
		Y-axis	4000mm	/
		Z-axis	200mm	/
2	Machine Bed Indicators	Positioning accuracy	0.02mm/300mm	/
		Positioning repeatability	0.02mm/300mm	/
		Maximum speed	30m/min	/
		Maximum processing speed	20m/min	/
		N.W.	About 2000kg	/
		Power voltage	AC380V/50Hz/3Ph	/
3	Worktable	Sectioned panel workable	8-zone vacuum hold-down surface	/
		Load weight	500kg	/
4	CNC System	Vision edge finding & CCD positioning System	/	/
5	Tool Magazine	Linear-type	4 stations	/
6	Drive System	X-axis	Leadshine servo drive	/
		Y-axis (dual motor)	Leadshine servo drive	/
		Z-axis	Leadshine servo drive	/
7	Motorized Spindle (Frequency Conversion)	Spindle	S&A chiller	3000
		Speed	18,000RPM	/
		Voltage	7.5kw	/
		Tool Taper	BT30	/
		Dynamic Balance Grade	G2.5	/
		Frequency Converter	KUMA	/
8	Guide Rail	X-axis	Square guide rail (25)	LAPPING
		Y-axis	Square guid rail (35)	LAPPING
		Z-axis	Square guide rail (25)	LAPPING
9	Transmission	X-axis	Screw rack	LAPPING
		Y-axis	Screw rack	LAPPING
		Z-axis	Ball screw	TBI
10	Tool Holder	BT30	8 sets	/
11	Single Edge Cutter	Ø3.175, Ø4, Ø6	/	/
12	Air Pump	250m ³ /H	/	7.5kw

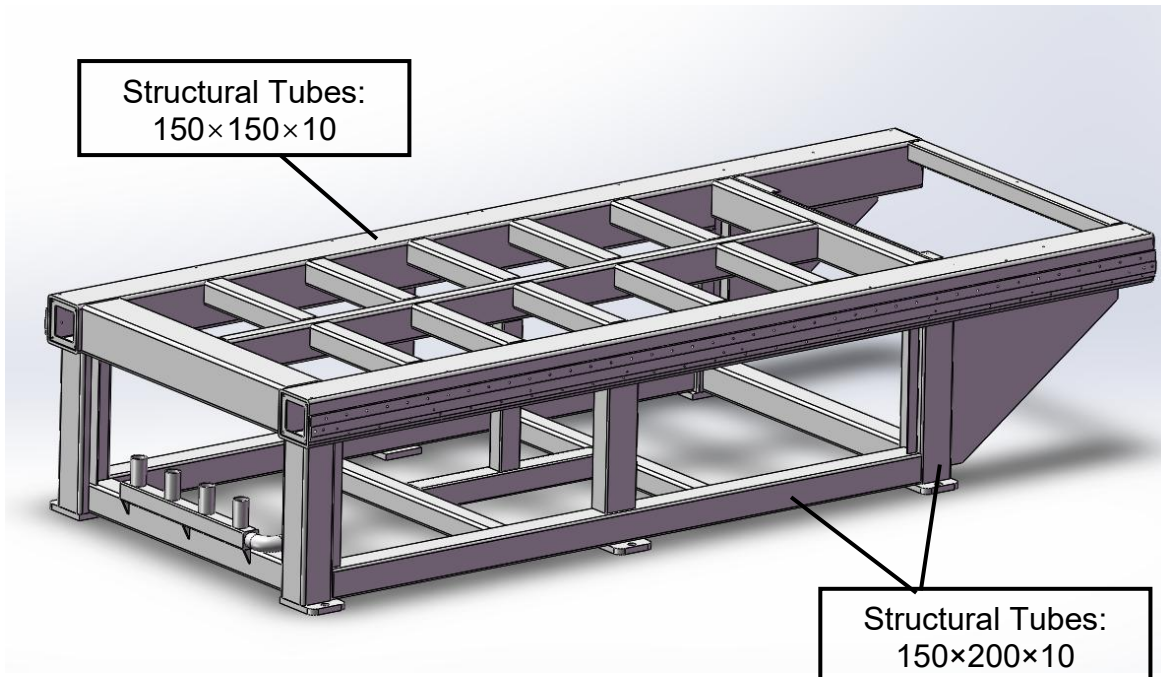


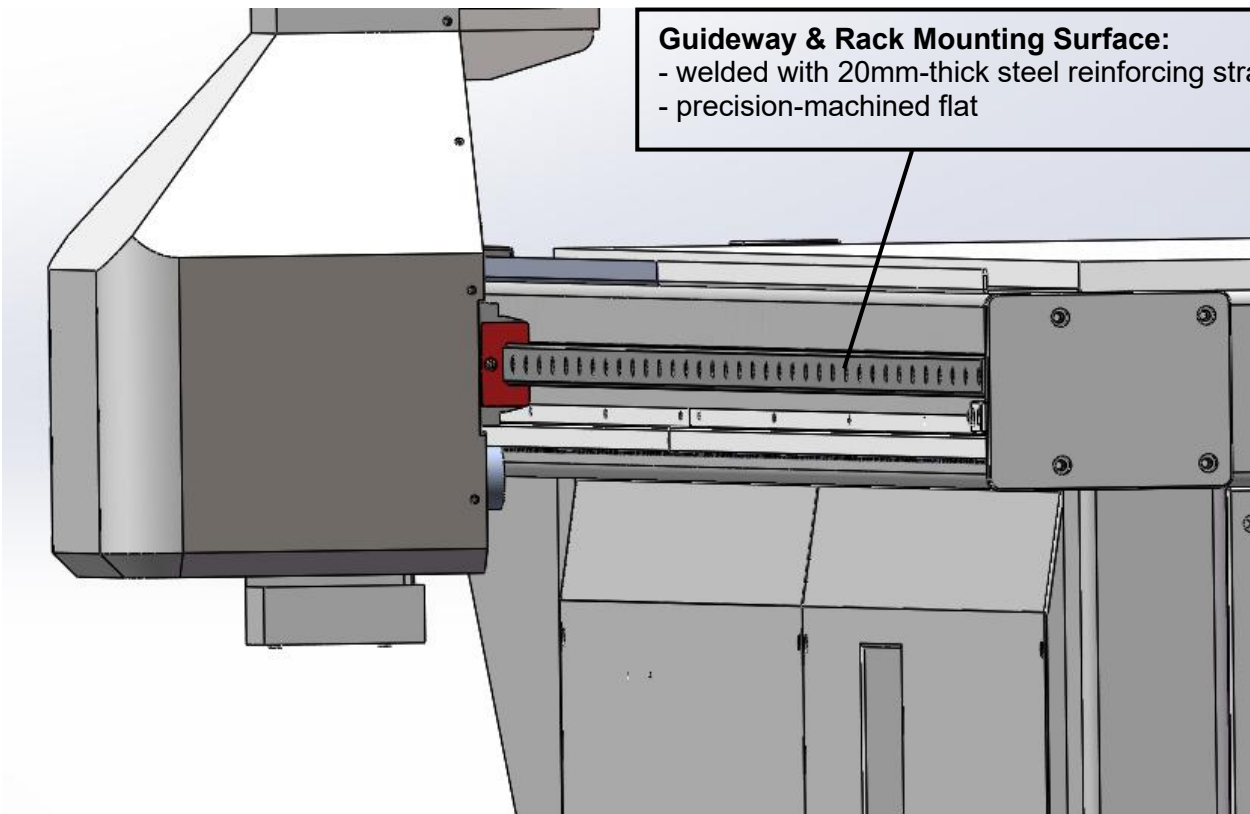
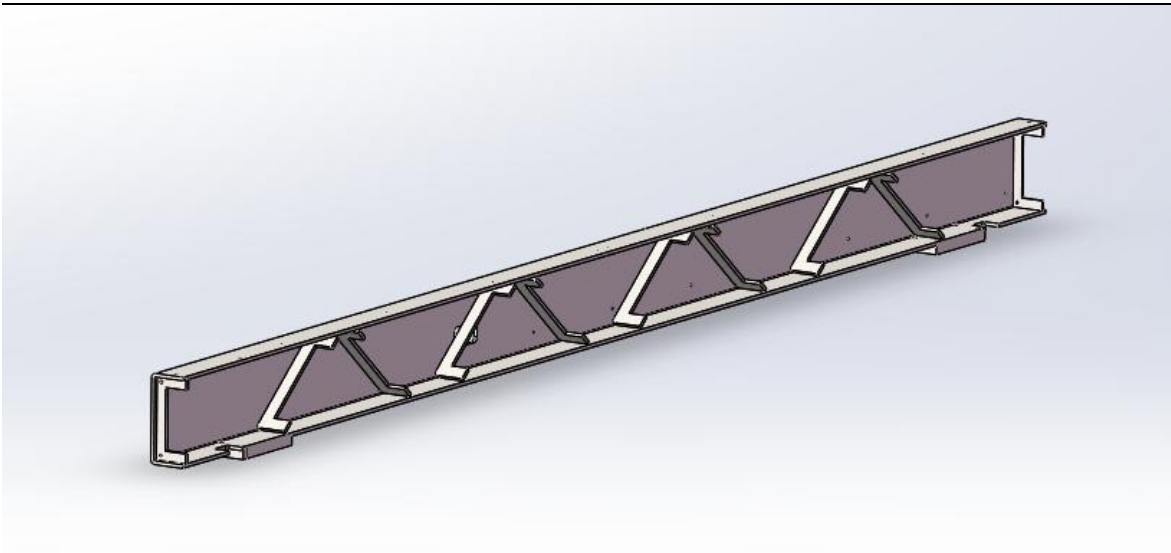
● Machine Bed

➤ Design:

T6 Series CNC Cutting Machine

- Frame Construction: Welded from **10mm-wall steel tubes**;
- Bed Treatment: **High-temperature tempered** to minimize deformation;
- Precision Machining: Bed processed via **large-scale gantry milling** for assembly accuracy;
- **Optimized Gantry & Beam**: 300×300×10mm cross-section, integrated with worktable to form rigid/reliable welded framework;
- Structural Validation: **FEA-optimized** for maximum strength and rigidity (Ref: T61325ACT drawing).







● **After-sales service**

A. After-Sales Service Commitment

1. Quality Assurance

All products provided by our company are original factory packaging, compliant with the international ISO9001:2015 quality certification system. We will provide product technical documents (including installation manuals, product packing lists, Chinese user manuals, certificates of conformity, and warranty credentials, etc.).

2. Delivery and Installation Timeline

Upon receiving the letter of acceptance, our company will promptly deliver the goods to the user. Both the manufacturing and inspection of products are accompanied by quality records and testing data. For product performance testing, we conduct full-process and full-performance inspections. All products undergo a 72-hour fatigue test before leaving the factory and are only packed and shipped after being confirmed qualified. Upon arrival of the goods at your company, our technical personnel will immediately visit for installation and training.

3. Product Delivery Time

Depending on the model, delivery will be made within 25 days after contract signing.

4. Warranty Commitment

We provide a 12-month warranty for all products offered during the validity period of this supply agreement. Throughout the validity period, we offer full-day service on normal working days and lifelong technical support for all products.

5. Response Time

We will respond to customer needs within 24 hours.

6. Service System

As the equipment supplier, our company provides a guarantee system for the products offered in this tender: When equipment malfunctions occur, we will dispatch designated professional technicians to carry out on-site repairs or return repairs within the specified time, if necessary.

B. Product Price Commitment

1. Under equivalent competitive conditions

Our company sincerely offers the most favorable prices to you without compromising product technical performance or altering product components.

2. During the warranty period

The supplier will provide free repair and replacement of component damage caused by quality issues. For component damage beyond the warranty period, the supplier will only charge cost price for provided accessories. In cases of equipment damage caused by



美耐特
— MEI NAI TE —

the buyer's human factors, the supplier will charge cost price for repairs or provided accessories.

C. After-Sales Service Guarantee

Company Strength Assurance:

Guided by the philosophy of "sincere service with utmost dedication," our company commits to responding to customer needs within 24 hours. We resolve customer issues through telephone, fax, Internet remote service, on-site visits, and other means.